

Hergestellt ab ca. 1991

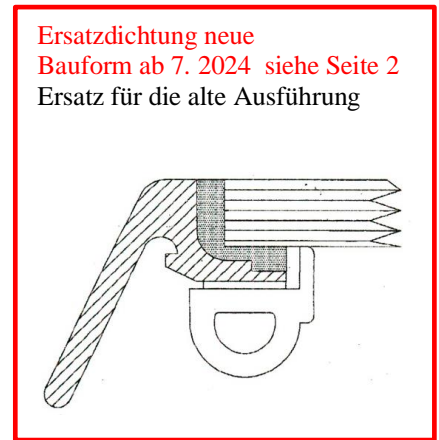
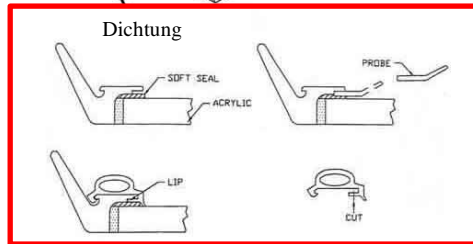
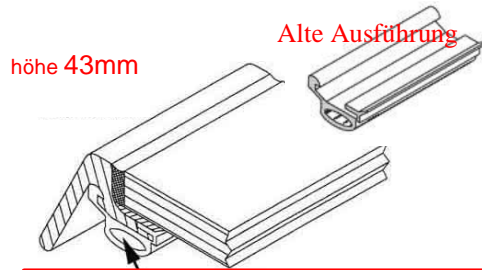
Formdichtung für Ocean Hatch Luke



d-marina-team GmbH
www.marina-team.de

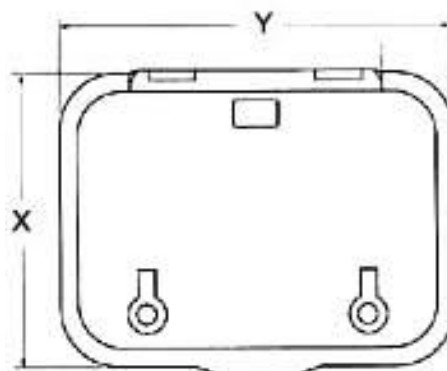


d-marina-team GmbH



Formdichtungen

Bestellnr.	Außenmaße	Typ
Nr.20113	267 x 412 mm	20
Nr.20115	392 x 522 mm	30
Nr.11773	445 x 575 mm	50
Nr.17596	575 x 575 mm	60
Nr.20313	695 x 695 mm	70



Identifikationshilfe LEWMAR Lukenmodel



Postbank Hamburg
Konto 704 670 204
BLZ 200 100 20
BIC PBNKDEFF
IBAN DE 16200100200704670204

Deutsche Bank Oldenburg i.H.
Konto: 702 44 90
BLZ: 230 707 00
BIC DEUTDEB237
IBAN DE 50230707000702449000

Handelsregister
Amtsgericht Lübeck
HBR 12495 HL
Steuer-Nr 22-29818537

Geschäftsführer
Wolfgang Nießing



INSTRUCTIONS FOR REPLACING OCEAN HATCH SEAL

LEWMAR WILL SUPPLY A LENGTH OF RUBBER - PREPARED AND GLUED

METHOD OF REPLACEMENT:-

- (a) REMOVE ORIGINAL SEAL AND CLEAN AREA READY FOR NEW SEAL
 - (b) STICK NEW SEAL TO UPPER FRAME ENSURING THE TAPE IS FULLY STUCK TO THE FRAME. (see fig 1)
- USE 3M TYPE 94 PRIMER TO AID ADHESION

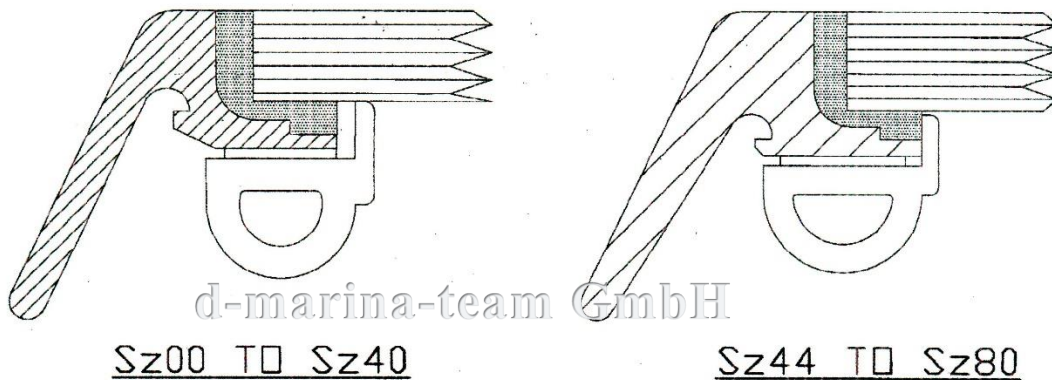
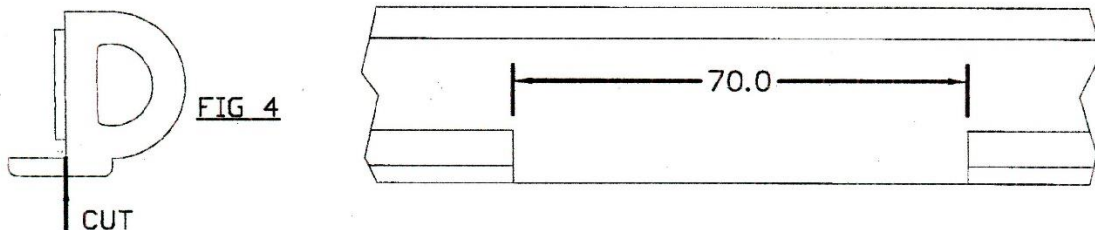


FIG 1

- (c) OCEAN HATCHES REQUIRE THE SEAL TO BE CUT LOCALLY AROUND THE LEVER LUGS AS SHOWN IN (fig 4)



NOTES: ENSURE THAT THE SEAL IS FREE FROM PUCKERING.
SEAL JOINT TO BE LOCATED AROUND HINGE AREA ON ROLLSTOP HATCHES.
SEAL JOINT TO BE LOCATED APPROX HALF WAY DOWN EDGE ADJACENT TO HINGE'S ON OCEAN HATCHES.