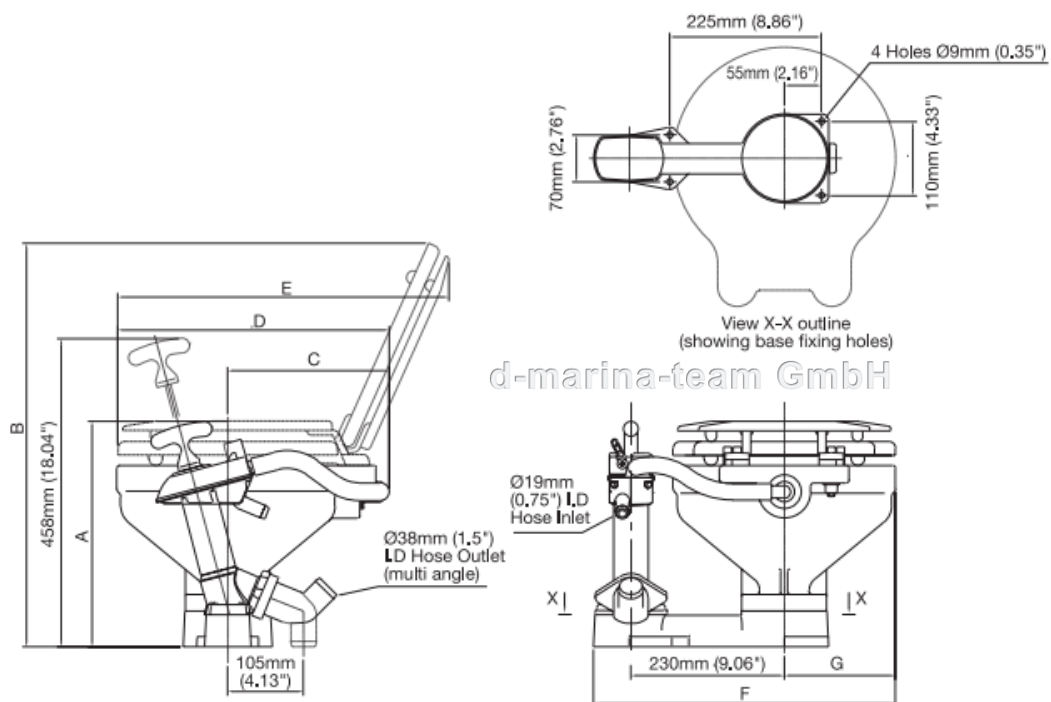




## Dimensions and Weights



All dimensions in millimetres with inch equivalents in brackets.

